

For reference only. See data sheet for the detailed specifications.

Technical Specification



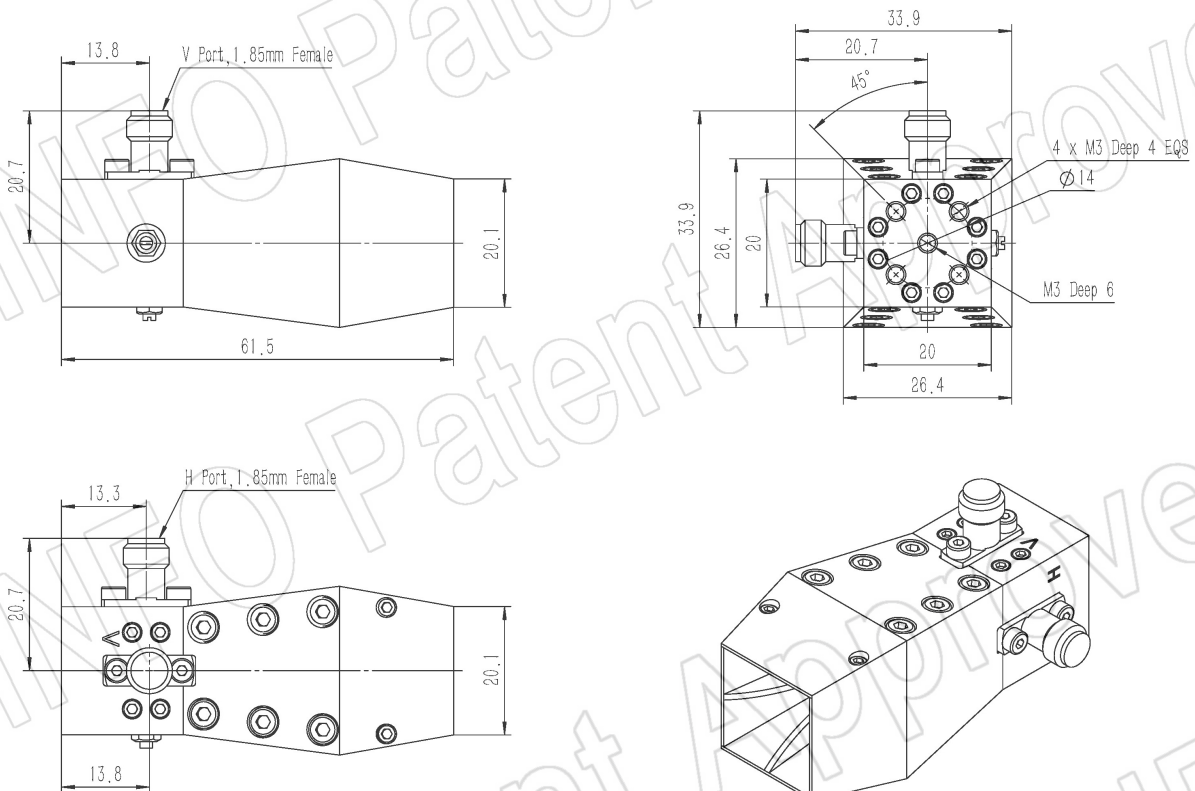
Frequency Range(GHz)	18.0 – 67.0
Gain(dBi)	15 Typ.
Polarization	Dual Linear
3dB Beamwidth(deg)	E Plane: 44 - 17
	H Plane: 55 - 16
Cross Pol. Isolation(dB)	30 Typ. ; 20 Min.
Port to Port Isolation(dB)	35 Typ. ; 25 Min.
VSWR	1.80:1 Typ.
	2.20:1 Max.
Connector	1.85mm-Female
Power Handling(W CW)	5 Max.
Material	Al
Finish	Gold Plated, Gray Paint
Size(mm)	33.9 x 33.9 x 61.5
Net Weight(Kg)	0.07 Around

PATENT ID (China)

ZL202110169216.0, ZL202120347928.2, ZL202030750673.5

Outline Drawing (Size: mm)

1.85mm-Female Output (P/N: LB-SJ-180670-1.85F)



AINFO Inc.

Page 1 of 22

China(Beijing):
China(Chengdu):
USA :

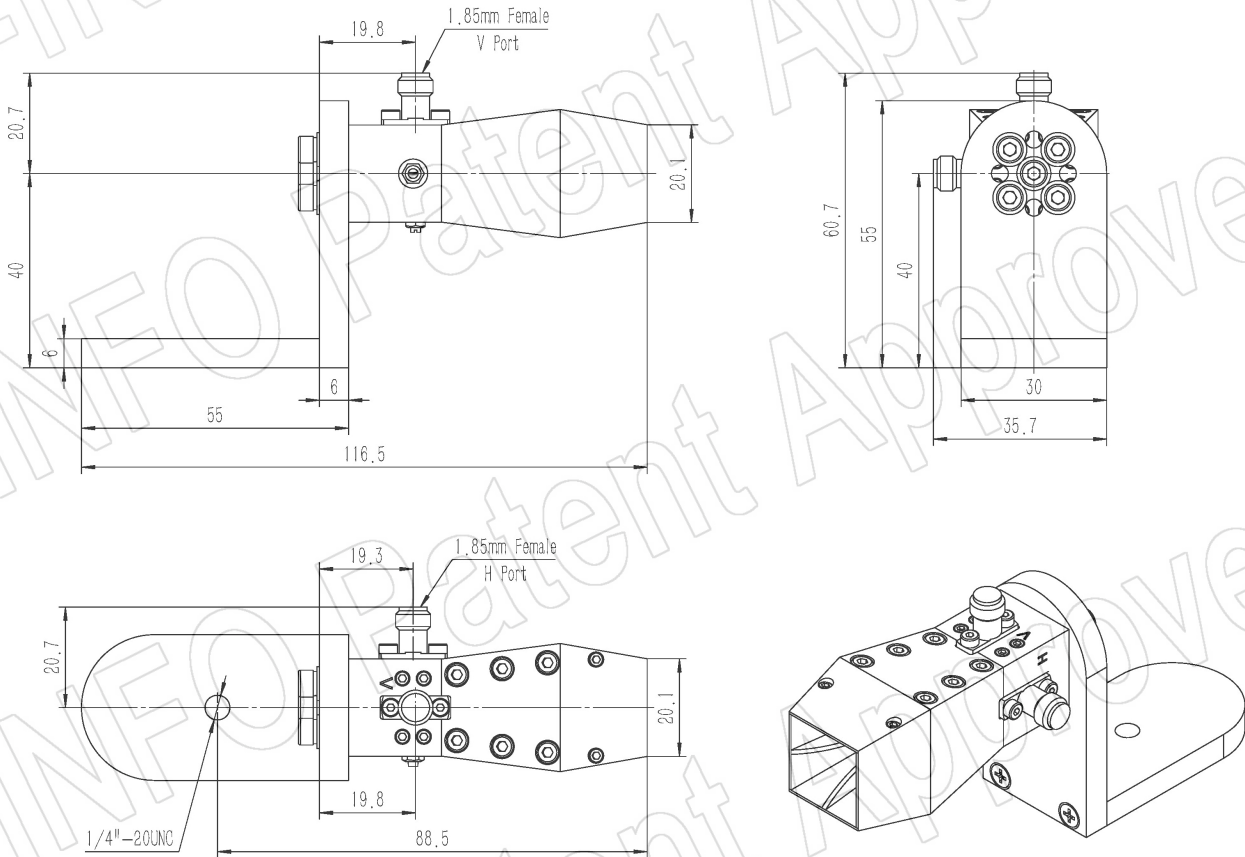
Tel: (+86) 10-6266-7326,
Tel: (+86) 28-8519-2786,
Tel: (+1) 949-639-9688,

(+86) 10-6266-7327
(+86) 28-8519-3044
(+1) 949-639-9608

Fax: (+86) 10-6266-7379
Fax: (+86) 28-8519-3068
Fax: (+1) 949-639-9670

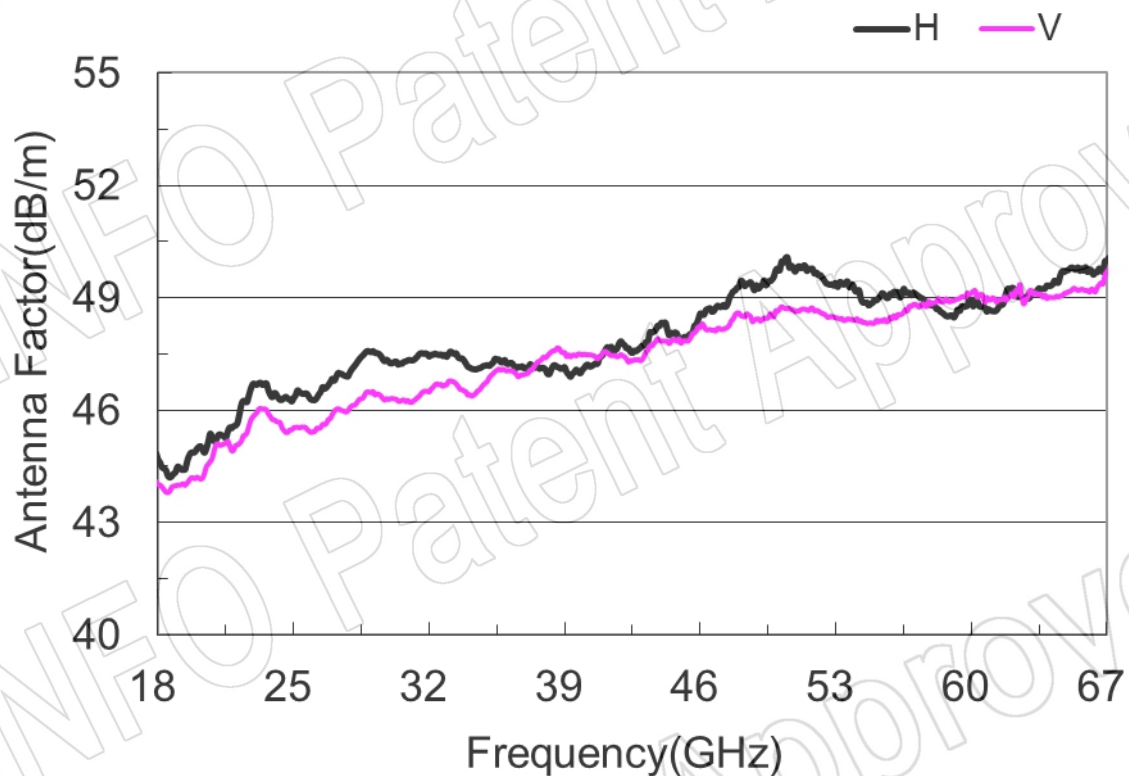
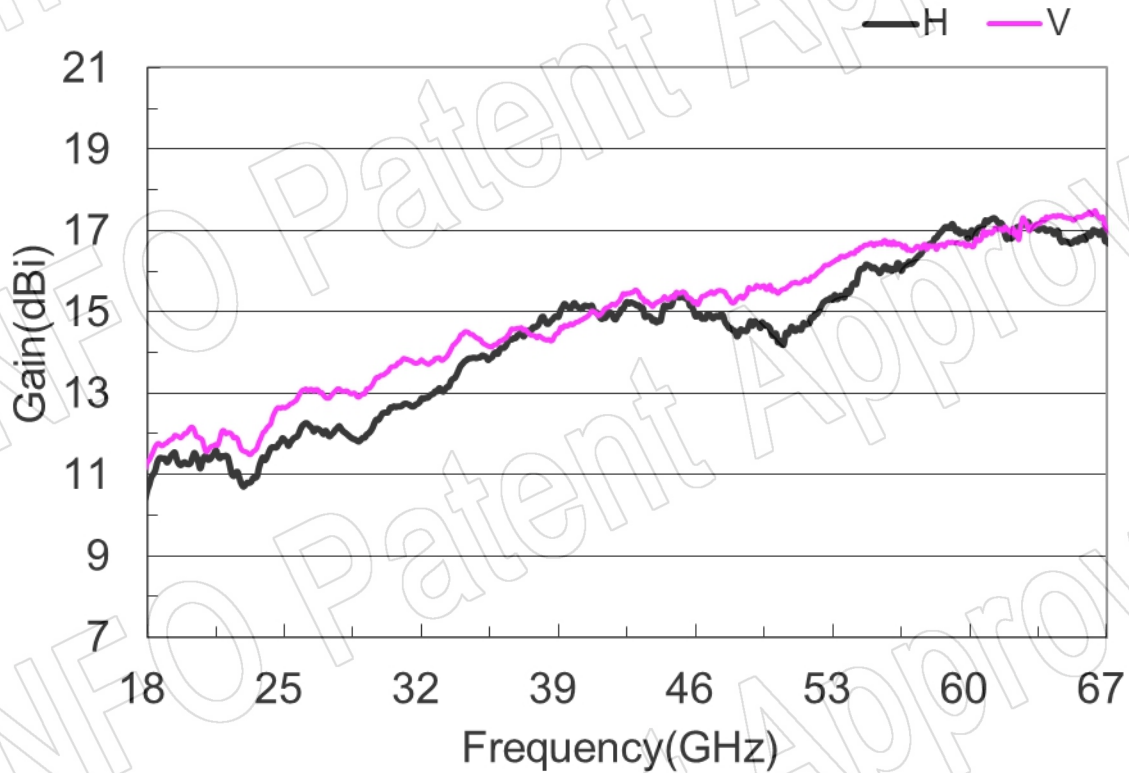
Website: www.ainfoinc.com
Email: sales@ainfoinc.com

1.85mm-Female Output with L Type Mounting Bracket (Option, P/N: LB-SJ-180400-L)

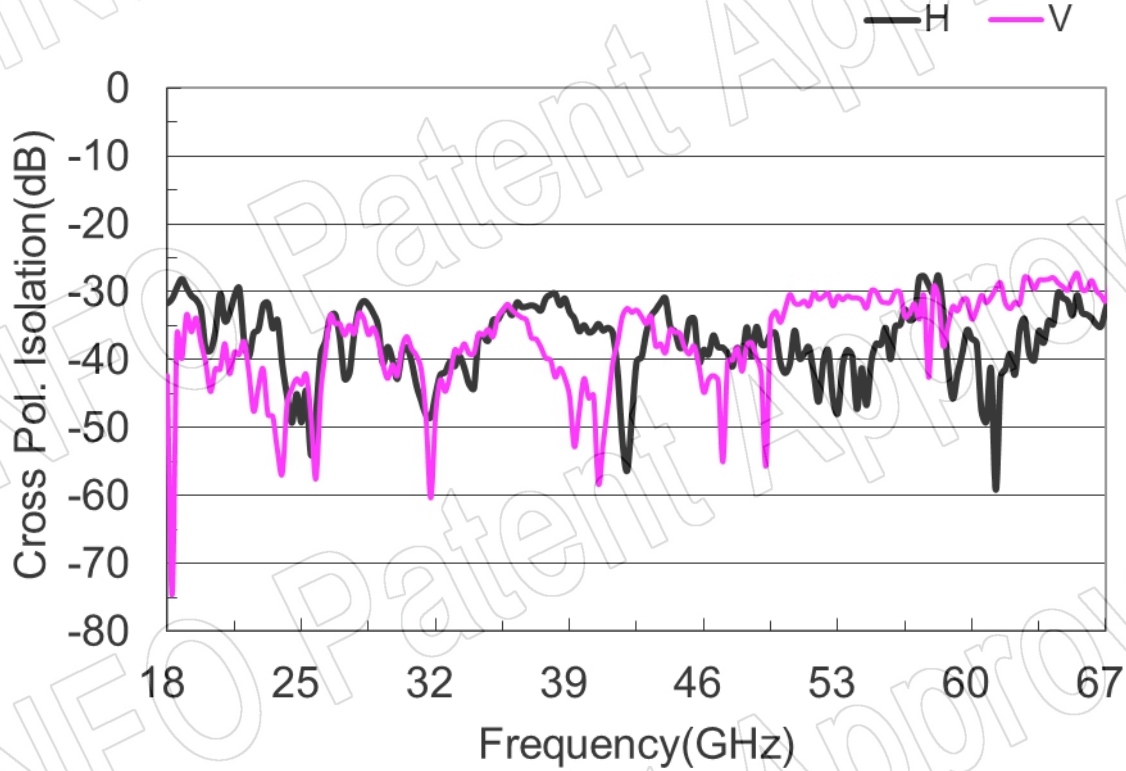


Test Results

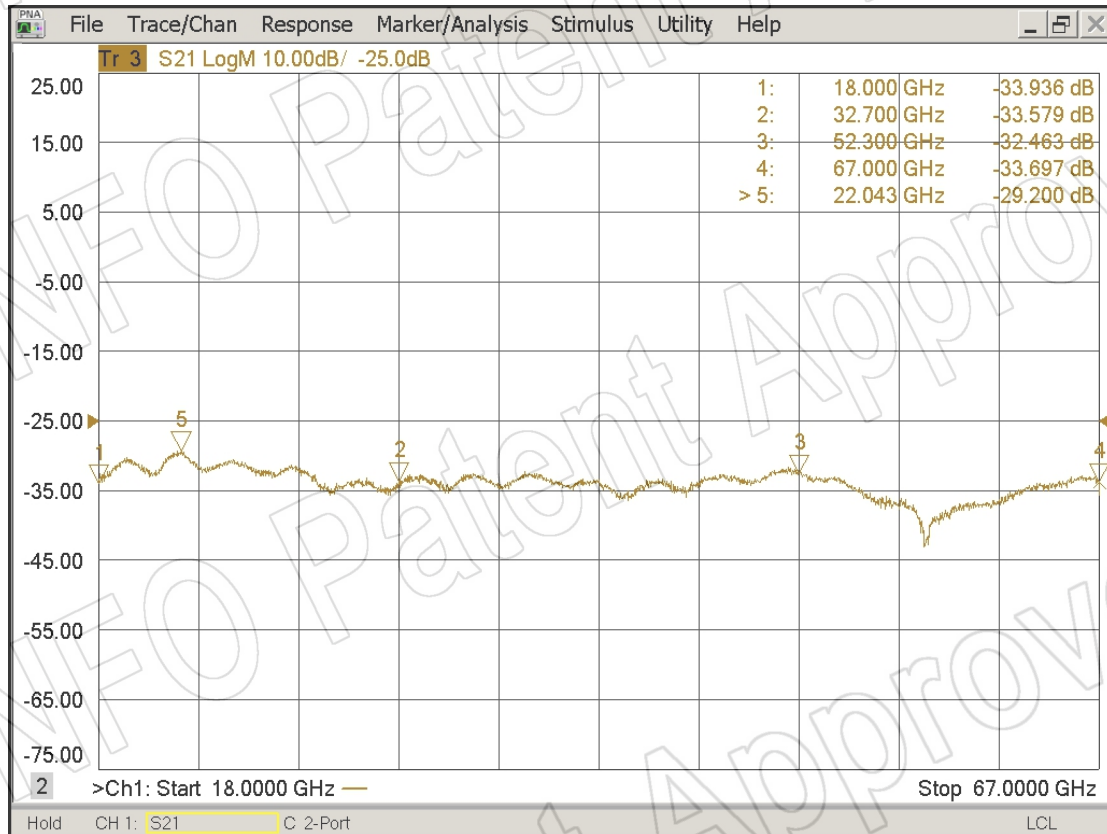
1. Gain & Antenna Factor



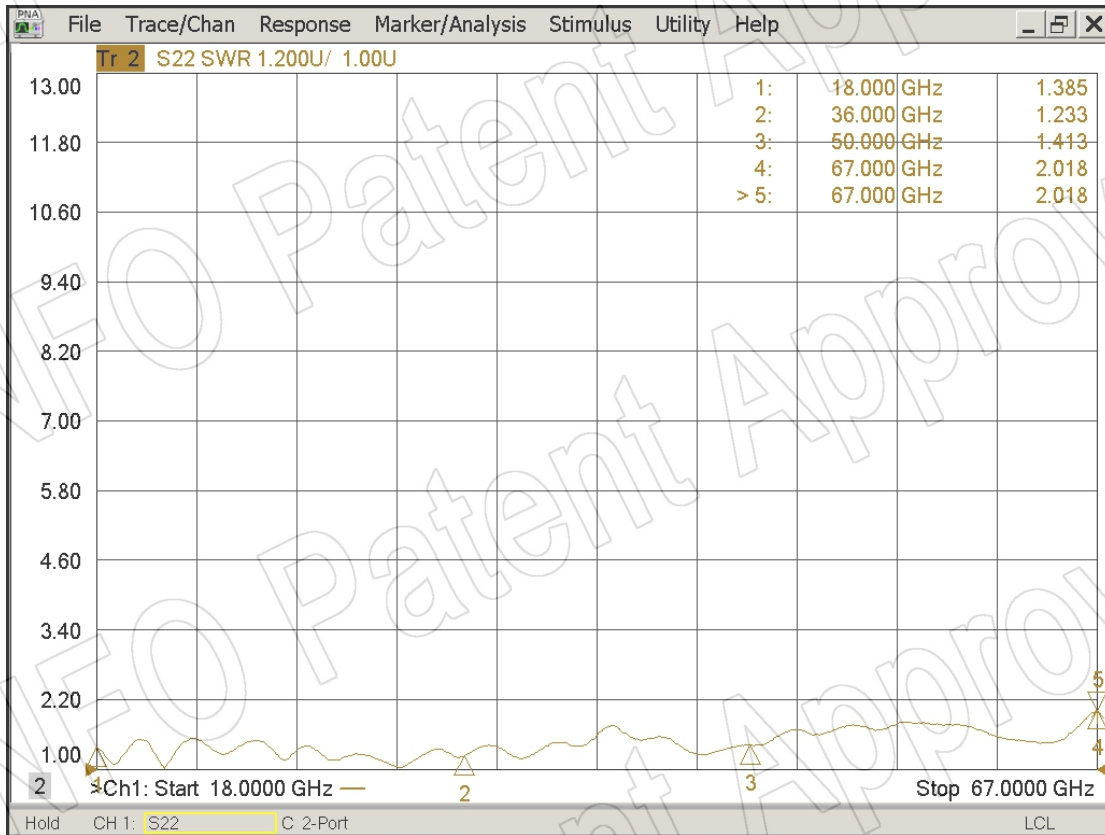
2. Cross Polarization Isolation



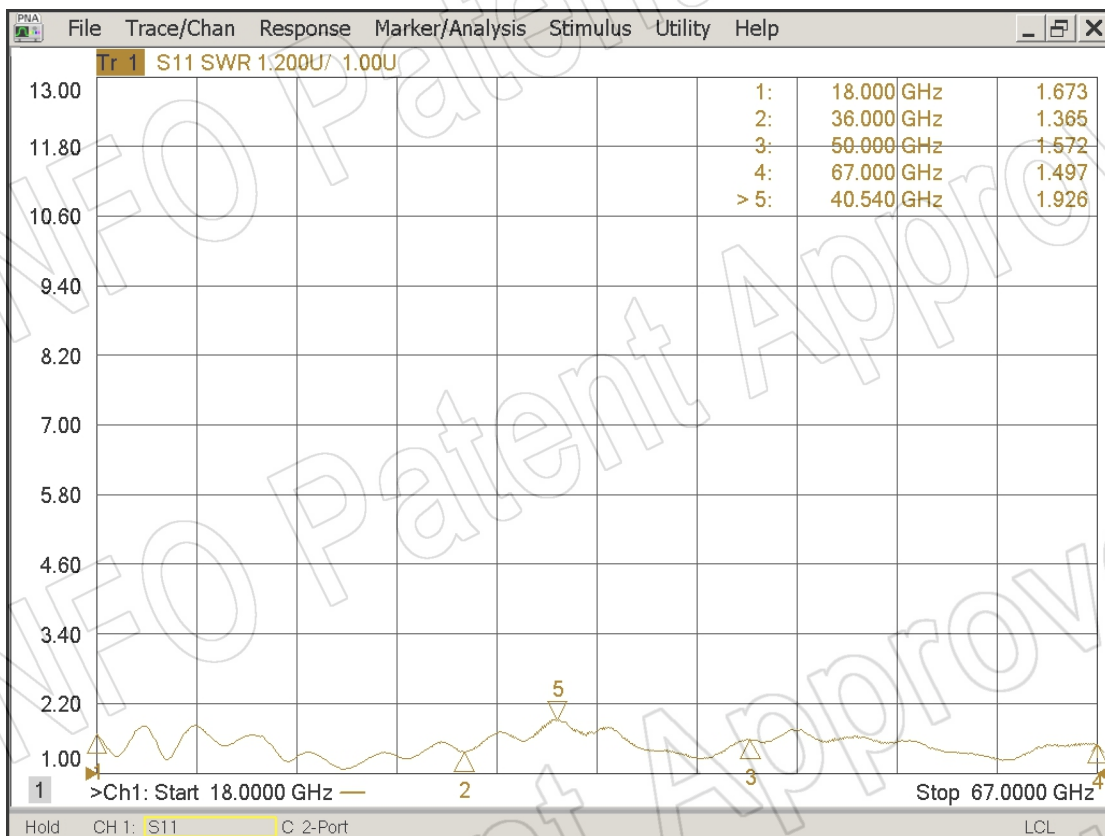
3. Port to Port Isolation



4. VSWR Port-H



Port-V



5. Pattern

